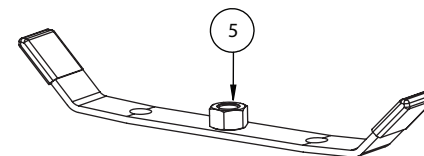
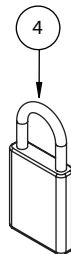
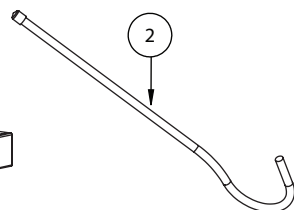
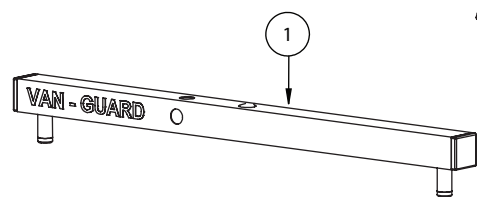


VG103

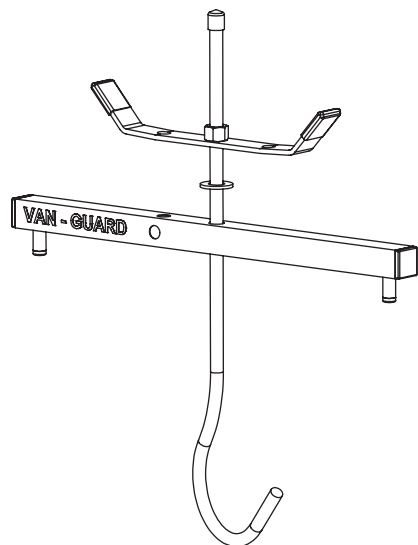
Van Guard Ladder Securing Clamps - Universal

SUPPLIED COMPONENTS

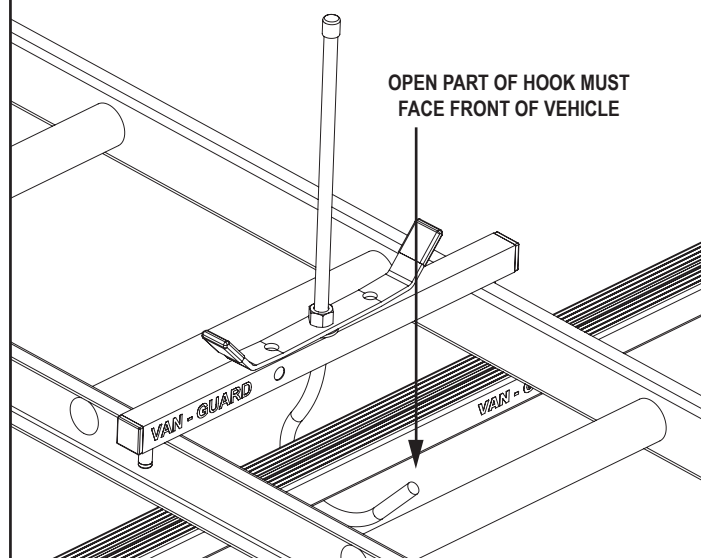


#	DESCRIPTION	QTY
1	BOX SECTION	2
2	THREADED HOOK	2
3	WASHER	2
4	PADLOCK	2
5	HANDLE	2

1 Assemble the components together as shown below to make two ladder clamps.



2 To secure a ladder, place ladder clamp in position with the two spigots on the outside and secure by spinning the handle down, clamping the box section to the ladder. **Be careful not to overtighten.**

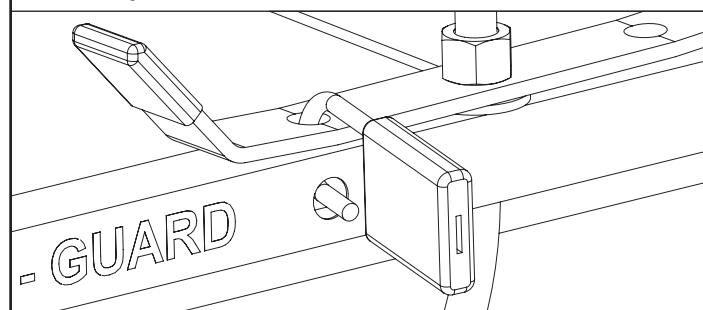


3 For security align the holes on the box section with the holes on the handle and use a padlock to lock them together (as shown below).

Ensure that the open end of the hook is facing towards the front of the vehicle.

Always use two clamps, one at the front and one at the rear.

Regular lubrication of the thread will prolong the life of the clamp.



This FITTING INSTRUCTION is the property of VAN GUARD ACCESSORIES LTD. and must not be used for manufacturing purposes, copied nor communicated in any way to third parties without written permission from VAN GUARD ACCESSORIES LTD.

IN8156_A

Van Guard Accessories Ltd
 Fair Oak Close, Exeter Airport Business Park,
 Exeter, Devon, EX5 2UL
www.van-guard.co.uk